

ALLMARINE

MI-S/MI-C AND MA-S/MA-C

PERFORMANCE THAT FITS YOUR SPACE AND NEEDS

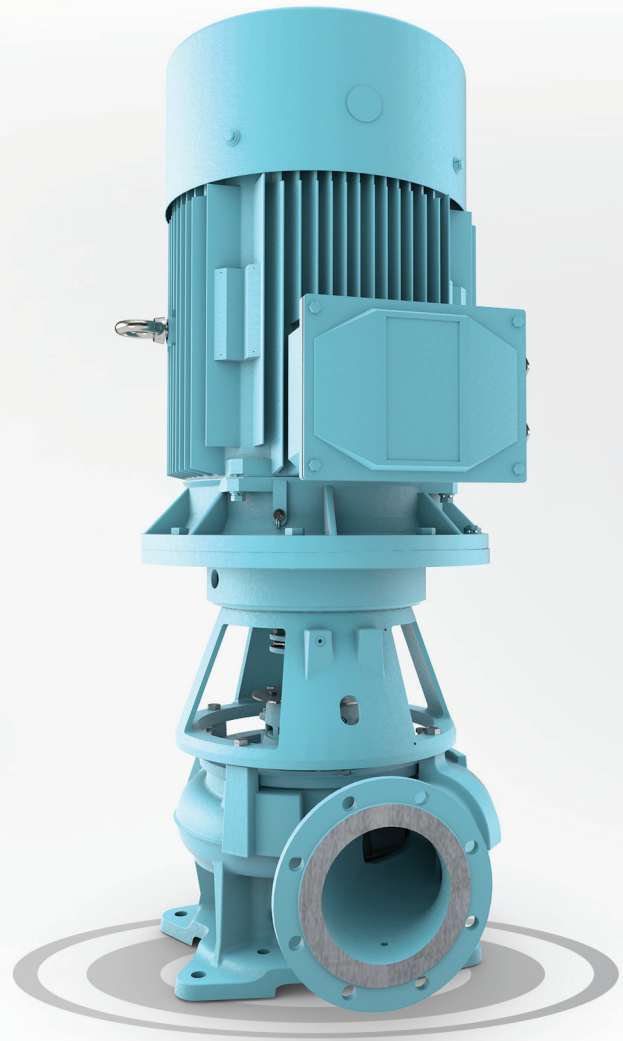
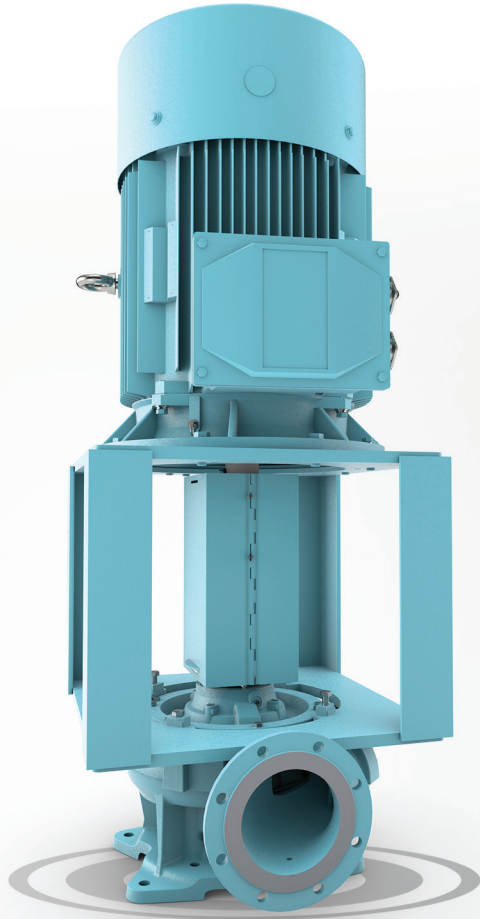
Designed to stand up to even the most demanding of environments, our redesigned Allweiler centrifugal pumps are tailored to meet the unique needs of the commercial marine industry, whether it's a smaller footprint or easier maintenance.

The ALLMARINE MI-S/MI-C and MA-S/MA-C series are single-stage, single-flow vertical volute-casing centrifugal pumps with capacity, hydraulics and a compact design that are specifically optimized for Shipbuilding and Offshore applications.

ALLMARINE MI-S/MI-C: EASY-TO-INSTALL RELIABILITY

- › Series MI-S and MI-C are of inline design type.
- › Integrated fixing holes make installation and securing of pump to ship foundation easy.





ALLMARINE MA-S/MA-C: COMPACT YET STURDY CONSTRUCTION ALLOWS IT TO FIT IN SMALLER SPACES

- › MA-S and MA-C volute casings have an axial intake and radial outlet.
- › Unique space-saving foot design offers pump stability in heavy seagoing conditions.
- › The suction flange's integrated fixing holes allows for pedestal mounting to the ship foundation.
- › Reduces bearing and shaft seal wear by redistributing pipe load forces through foundation instead of into pump aggregate.

PUMPS YOU CAN COUNT ON

In your industry, reliability is everything. ALLMARINE pumps from Allweiler offer solid construction that delivers uptime along with a level of performance that will make a huge difference to your operation.

The pumps handle fresh- and sea-water, condensate, oils and are designed to excel in services like:



- › Fresh- and sea-water cooling applications



- › Ballast, bilge, general service and firefighting applications

ALLWEILER MI-C/MA-C: HIGH PERFORMANCE IN A SMALL PACKAGE

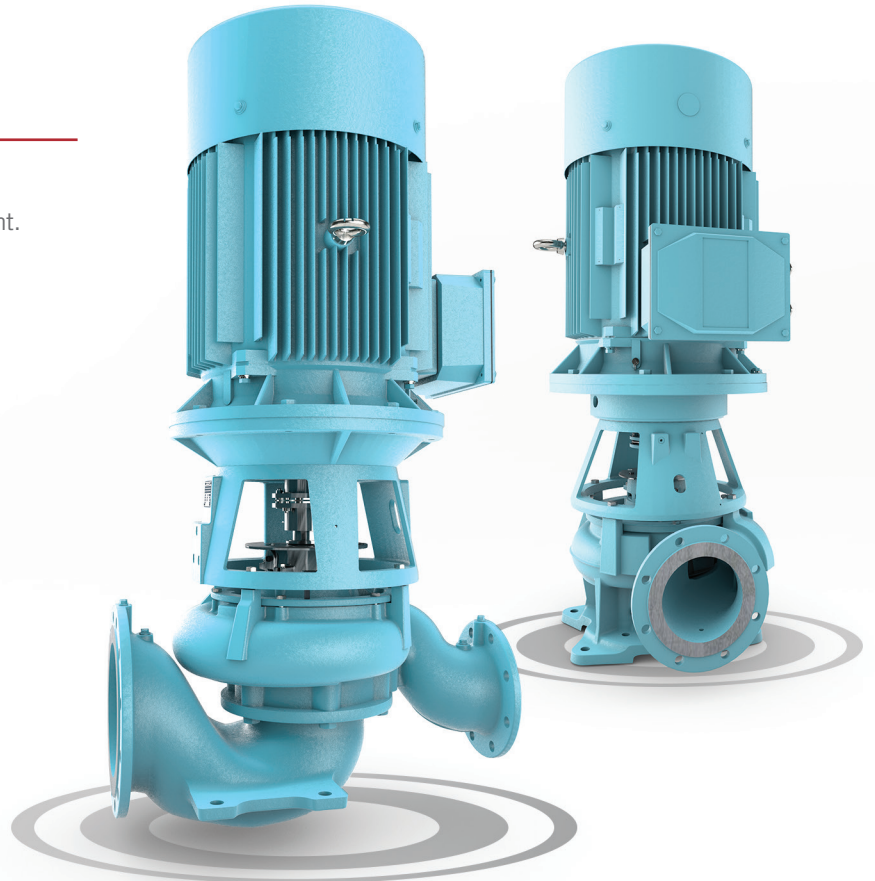
The compact MI-C and MA-C series are the right choice when space restrictions require a low overall pump height. The pump bearing and shaft seal can be dismantled without removing the volute casing from the piping.

The MI-C and MA-C offer solid construction and reliable performance in a package that's:

UP TO
45%
LIGHTER

UPTO
23%
SMALLER FOOTPRINT

UPTO
40%
HEIGHT
REDUCTION



ALLWEILER
MI-C



ALLWEILER
MA-C



PERFORMANCE DATA

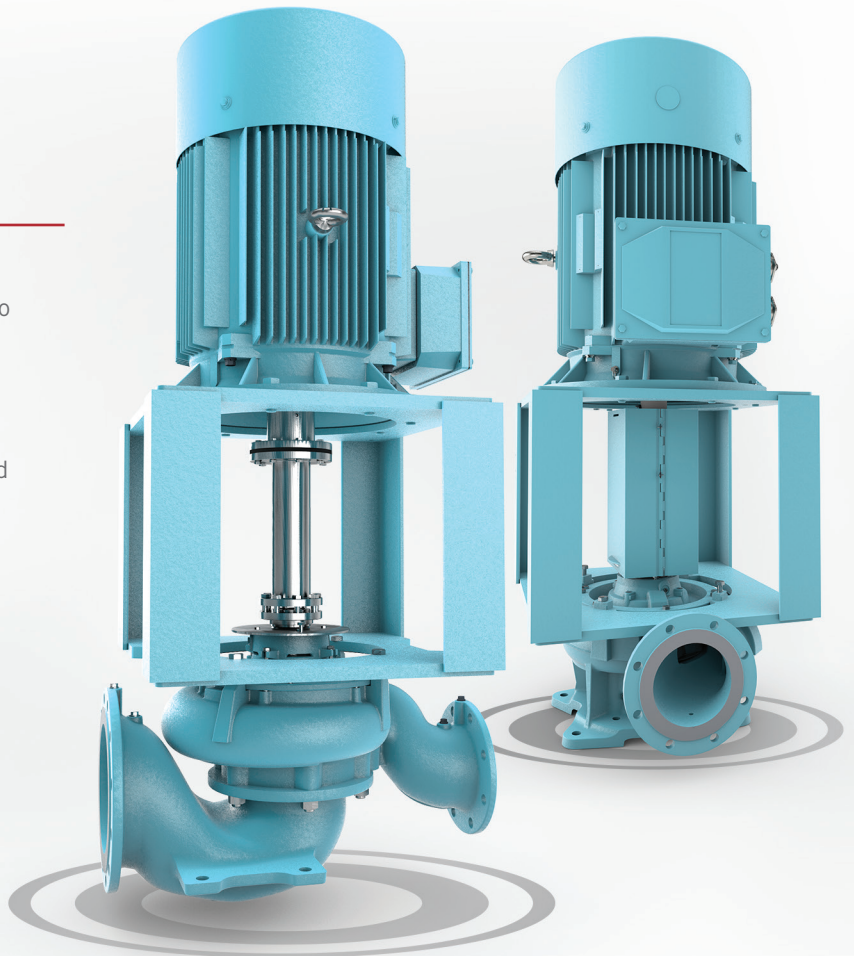
Capacity	Q	up to	1800	m ³ /h
Delivery head	H	up to	65	m
Discharge pressure	p _d	up to	10	bar
Fluid temperature	t	up to	100	°C

ALLMARINE MI-S/MA-S: EASY TO MAINTAIN. HARD TO BEAT.

In a vessel, pump maintenance can be a challenging and costly exercise. The MI-S and MA-S series are designed to keep maintenance and the accompanying downtime to a minimum.

With spacer couplings that incorporate distance pieces, the MI-S and MA-S allow you to dismount the bearing and sealing unit, including impeller, without removing the volute casing, pipes, or drive motor.

The redesigned MI-S and MA-S offer more than just easy and faster maintenance. Lighter in weight and smaller in size than previous models, the new MI-S and MA-S also delivers uncompromising performance and durability.



UP TO
40%
LIGHTER

UP TO
23%
SMALLER FOOTPRINT

UP TO
20%
HEIGHT REDUCTION

FOOTPRINT
MAKES
**INSTALLATION
EASY**

PERFORMANCE DATA

Capacity	Q	up to	1800	m ³ /h
Delivery head	H	up to	65	m
Discharge pressure	p _d	up to	10	bar
Fluid temperature	t	up to	100	°C

ALLWEILER
MI-S



ALLWEILER
MA-S



WANT TO LEARN MORE?

To find out more about ALLMARINE MI-S/-C and MA-S/-C series pumps or any of our other commercial marine solutions, contact us at Allweiler.de/en/contact.



ALLWEILER GmbH | Allweiler Straße 1, 78315 Radolfzell, Germany | +49 (0)7732 86-0

CIRCOR and ALLWEILER are registered trademarks of CIRCOR International or its subsidiaries in the U.S. and/or other countries.
©2018, CIRCOR International. All rights reserved. GB-CM029-027035-11/18