



# SERIES SRH6

Spring Regulator, High Pressure,  
Ported - (DN6)



**YOUR CREATIVE ENGINEERING PARTNER**

# SERIES SRH6

## Spring Regulator, High Pressure, Ported - (DN6)

The Series SRH6 is configurable Spring Regulator offering performance and reliability, optimised for your application.

The SRH6 provides a hassle free solution to set and adjust pressure, focusing on ensuring delivery pressure is stable regardless of variations in ambient temperature.

The Series SRH6 can be configured to meet the requirements of multiple pressure reduction applications.

## HIGHLIGHTS

- > Stable in high-pressure drop / low flow applications
- > Fail Safe In-field repairs made easy with a range of hassle free spares and aftermarket offerings.

## IDEAL USES

- > Mission Critical Pressure Reduction Applications.
- > Test Systems including those requiring a fast response during start up and shut down.
- > Connections via 1/2" BSP or 1/2" NPT Ports.
- > HP Air Systems (Maritime, Industrial).



SRH6 – SPRING REGULATOR

IN:  
**420**  
barg  
(6000 psig)

OUT:  
**0-250**  
barg  
(0-3625 psig)

Cv  
**0.08**

# Features and Specifications

## 1. Handwheel for Ease of use

The SRH6's ergonomic design handwheel allows for a smooth increase/reduction in outlet pressure.

## 2. Locked outlet available

SRH6 can be supplied with factory set locked outlet pressure SRH6 can be easily serviced via factory acceptance tested seat assemblies.

## 3. Connections

Connections via 1/4" BSP or NPT ports.

## 4. Accessory Port

The Series SRH6 Pressure Control Regulator is provided with four process / accessory ports, allowing the SRH6 to be configured to meet your application requirements.



# Product Specification Data

Series SRH6	
Inlet Pressure	420 barg (6000 psig)
Regulator Cv	0.08
Maximum Outlet Pressure	250 barg (3625 psig)
Service Temperature Range (HNBR – Standard Option)	-40°C to +80°C
Service Temperature Range (FKM/Viton)	-20°C to +150°C
Service Temperature Range (EPDM)	-20°C to +150°C
Seat and Outboard Leakage (standard)	Bubble Tight
Body / Material	Stainless Steel 316L

### Required Information

When placing an enquiry, please advise the following:

- > Inlet Pressure Range
- > Outlet Pressure Range
- > Flow Rate Range
- > Fluid Temperature Range
- > Ambient Temperature Range
- > Fluid Type
- > Application Details
- > Any Special Requirements (materials, etc)

### Series DFR Dome Regulators

The Series SRH6 can also be configured with Hale Hamilton's Series DFR Dome Regulators and Manifolds for integrated pressure control solutions.

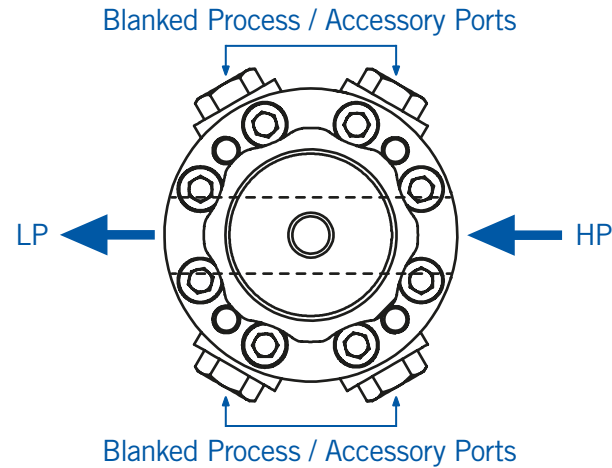
For more information please see the Series DFR product data sheet.

## Typical Configurations

The Series SRH6 Pressure Control Regulator is provided with four process / accessory ports, allowing the SRH6 to be configured to meet your application requirements.

For further information, configuration assistance and additional options, please contact [sales@halehamilton.com](mailto:sales@halehamilton.com).

Our Sales team will be happy to help you.



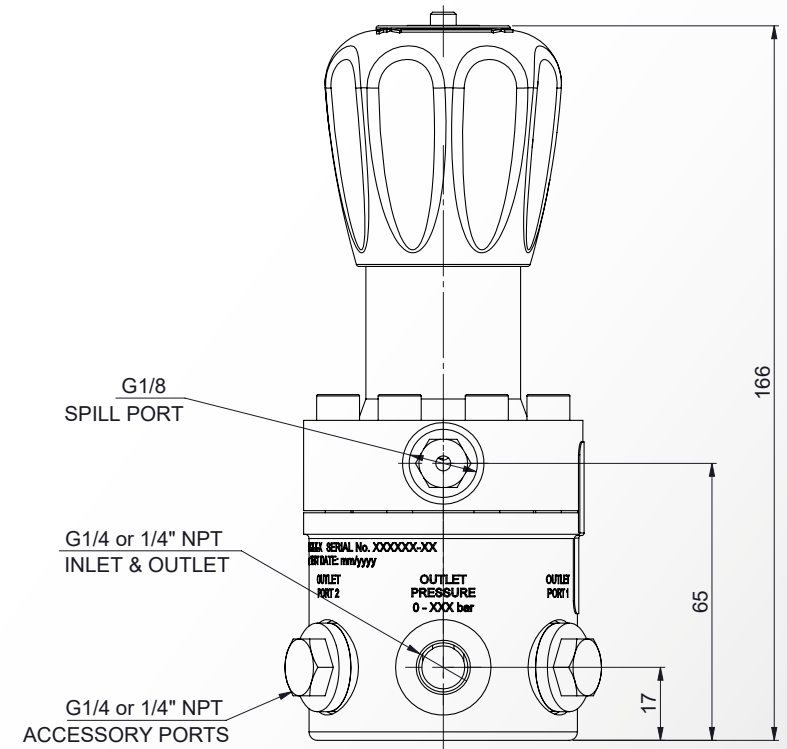
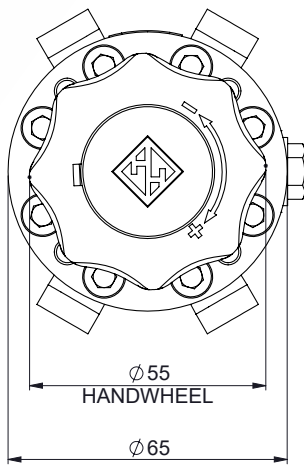
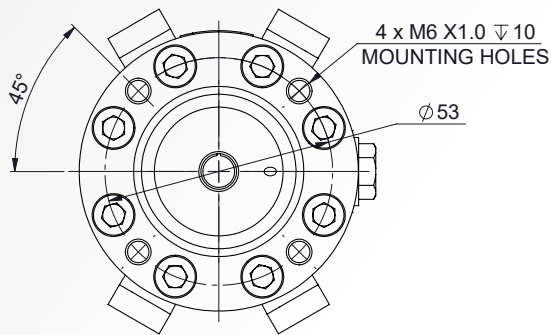
## Enquiries and Orders

Your SRH6 Pressure Control Regulator can be selected using the ordering system set out below.

Alternatively, you can contact Hale Hamilton sales at ([sales@halehamilton.com](mailto:sales@halehamilton.com)) with information on fluid type, pressures, flow rates, fluid temperatures and the application.

	'SR'	'H'	'6'	'1'	'1'	'H'	'K'	'L'	
	Type	Pressure Rating	Size	Port Type	Pressure Range	Elastomer Type	Seat Material	Locking Feature	Special Feature
	Mandatory	Mandatory	Mandatory	Mandatory	Mandatory	Mandatory	Mandatory	Omit If Not Used	Omit If Not Used
	'SR' - Spring Regulator	'H' - High Pressure	'6' - DN6	'1' - 1/4" BSP	'1' - 0 - 25 barg	'H' - HNBR	'K' - PCTFE	'L' - Locking	'XX' - Special Features (alternative materials etc) New codes allocated on client request.
				'2' - 1/4" NPT	'2' - 0 - 100 barg	'F' - FKM (Viton)	'P' - PEEK		
					'3' - 0 - 150 barg	'E' - EPDM	'N' - NYLATRON		
					'4' - 0 - 250 barg				

# Installation Dimensions



Dimensions	A	B	C	D	Weight
SRH6	17	65	172 +5	4 x M6x1.0 PCD: 53	2.2 kg