

APPLICATIONS

Medical
Aerospace
Analytical Instrumentation
Industrial

FEATURES

Quick Manifold Response
Low System Leakage
Lightweight
Small Size

SPECIFICATIONS

Part Number:
7345-1-000

Service Fluid:
Air/CO₂ Mixture, Inert Gases

Weight:
0.5 LB Max

Inlet (Supply) Pressure:
20 PSI to 150 PSI

Operating Temperature Range:
+50°F to +140°F
(+10°C to +60°C)

Material:
Aluminum

Coil:
12 VDC

Pressure Regulator Inlet Pressure:
20 PSI to 150 PSI

Pressure Regulator Outlet Pressure:
2.5 ± 0.5 PSI at Max Flow
and 85 PSI Inlet Pressure

Operating Flow Range:
0.15 SCCM to 1.5 SCCM



Gas Manifold Assembly

The Aerodyne gas manifold assembly, Model 7345, provides precise pressure control of inert gases in a compact package. The unitized body eliminates multiple external connections (i.e. valve, pressure switch, and regulator) and simplifies customer system integration. Available as part number 7345-5-000, containing transducer in place of pressure switch.

The solenoid valve (12VDC) provides quick manifold response and low system leakage. The pressure switch (or optional transducer) indicates upstream system pressure. Preset outlet pressure regulation set point assures accurate performance.

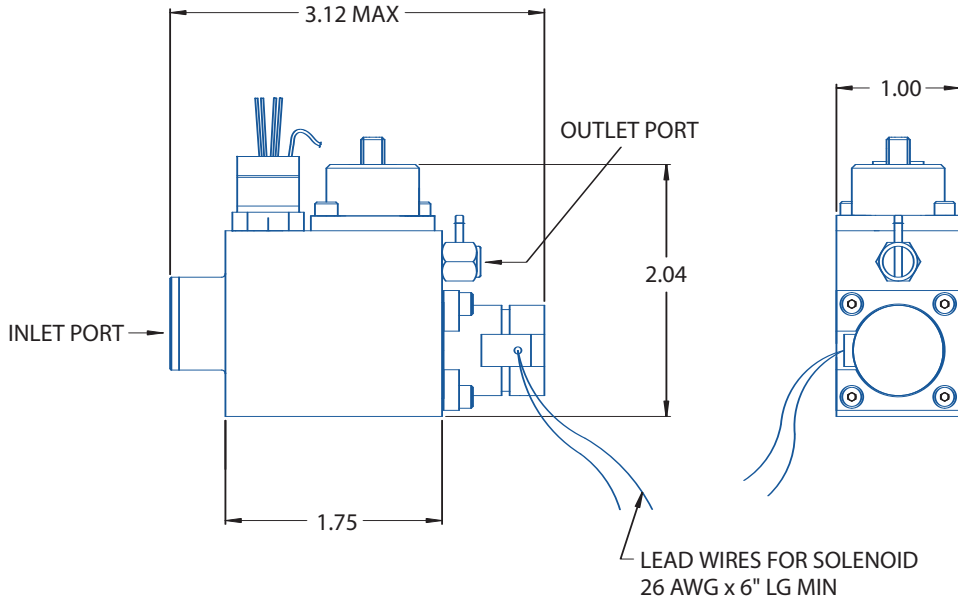
Aerodyne Controls has been serving the military, aerospace, medical and instrumentation markets with precision custom products since 1958. For more information, call: **631-737-1900** or e-mail: **sales@aerodyne-controls.com**.

Custom fluid controls and motion sensors since 1958

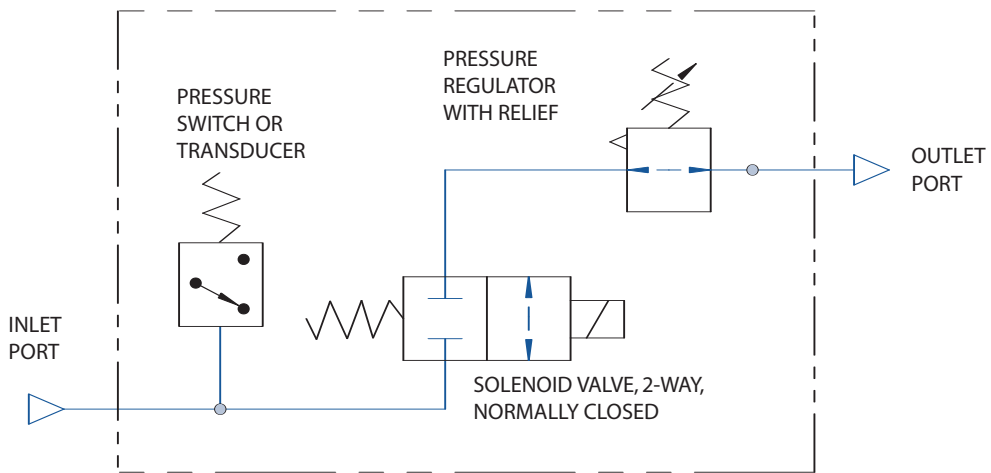
MODEL
7345
Gas Manifold Assembly

DIMENSIONS

PART NUMBER
7345-5-000



FUNCTIONAL SCHEMATIC



Custom fluid controls and motion sensors since 1958

30 Haynes Court Ronkonkoma, New York 11779 Phone: 631-737-1900 Fax: 631-737-1912 www.aerodyne-controls.com