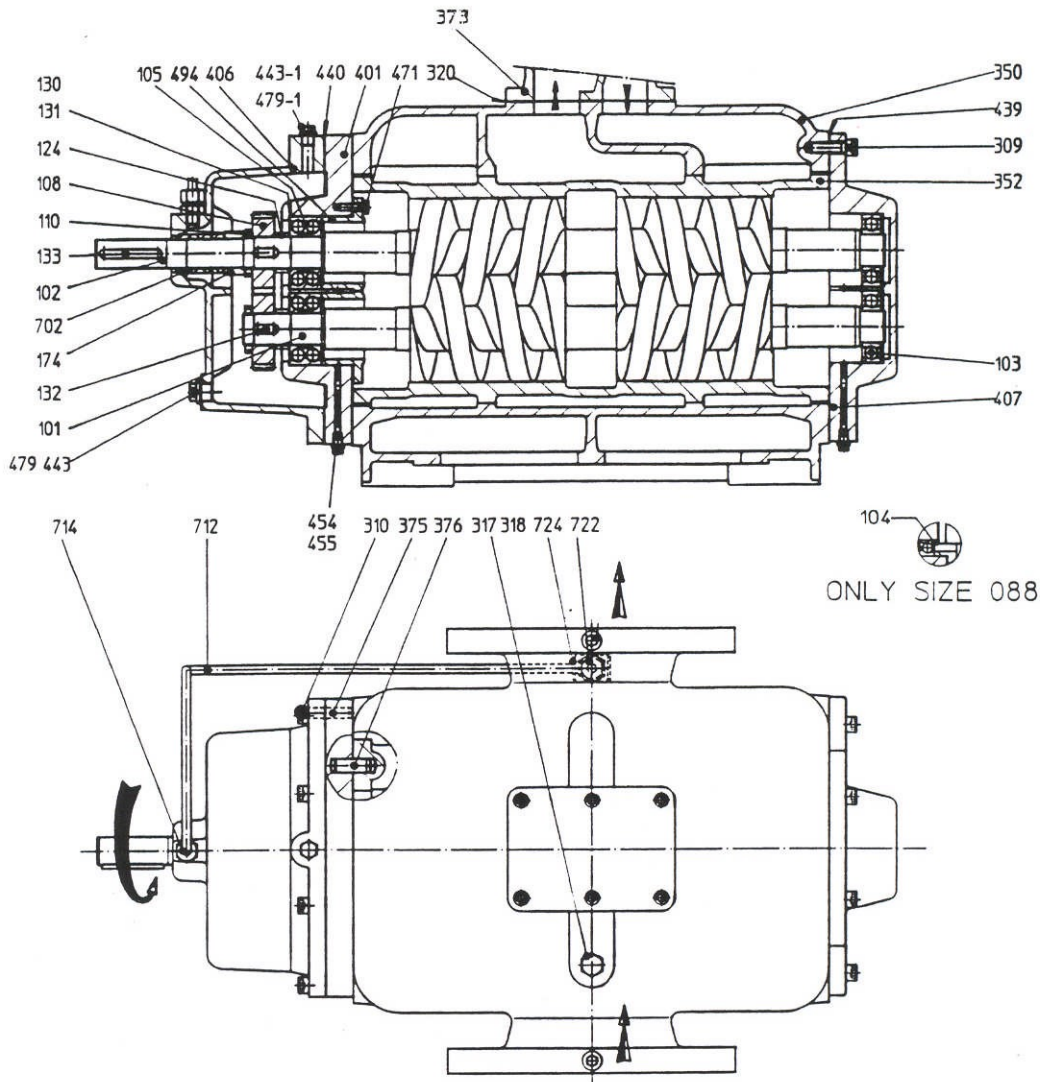


Sectional drawing Series 216.10



Part No. Description

- 101 Short screw shaft
- 102 Long screw shaft
- 103 Single row ball bearing
- 104 Support ring
- 105 Double row ball bearing
- 108 Gear wheel
- 110 Nut
- 124 Distance bush
- 130 Shim 0,1 mm
- 131 Shim 0,05 mm
- 132 Key
- 133 Key

Part No. Description

- 352 Cylinder liner
- 373 Socket screw
- 375 Fitted pin
- 376 Fitted pin
- 401 Cover
- 406 Gearbox
- 407 Cover
- 439 Gasket
- 440 Gasket
- 443 Drain plug
- 443-1 Filler cap
- 454 Filler cap
- 455 Joint washer
- 471 Tapbolt
- 479 Joint washer
- 479-1 Joint washer
- 480 Anti-rotation pin for 702
- 494 Ball bearing cover

Part No. Description

- 500 Pressure relief valves
- 702 Mechanical seal
- 712 Pipe
- 714 Pipe screw coupling
- 722 Adjustable coupling
- 724 Reducing coupling